

# COMMONWEALTH AC AXIAL FAN

## FP-108EXM

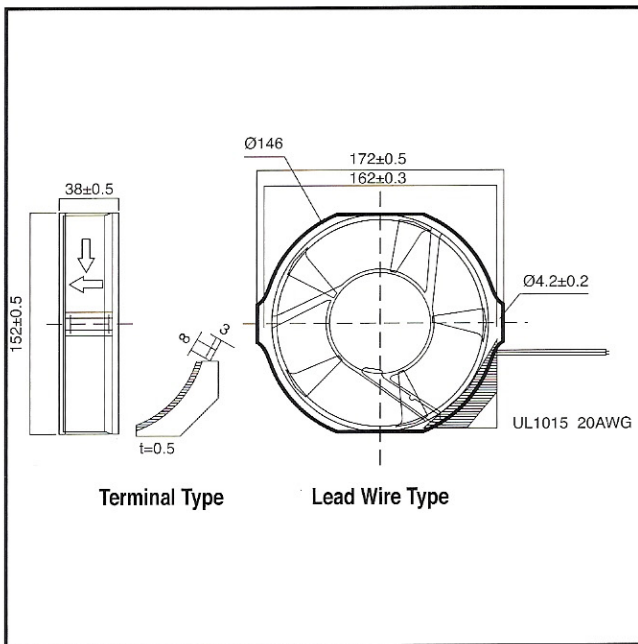
172x150x38mm

### DESIGN FEATURES

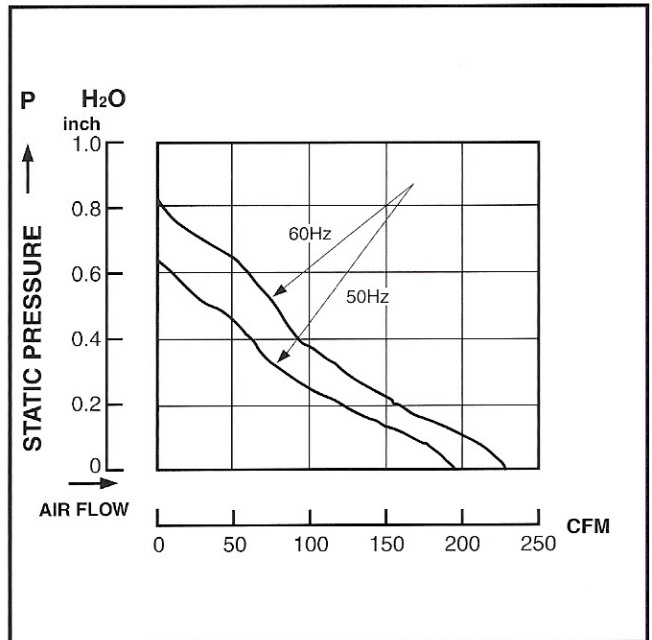
- \*BEARING SYSTEM: BALL BEARING
- \*IMPELLER: PLASTIC WITH FIBER GLASS FILLED UL 94V-0
- \*HOUSING: DIE CAST ALUMINUM PAINTED BLACK OR NATURAL COLOR
- \*MOTOR: SHADE POLE MOTOR
- \*PROTECTION: THERMAL PROTECTION & IMPEDANCE PROTECTION
- \*CONNECTING: WIRE LEADS & TERMINAL
- \*OTHER VOLTAGE: 24,48,100,380 V AC (50/60Hz) ARE AVAILABLE



### DIMENSIONS:MM



### PERFORMANCE



### SPECIFICATIONS

Specifications are subject to change without notice

MODEL NO.	VOLT (VAC)	FREQUENCY (HZ)	AIR (CFM)	VOLUME (M <sup>3</sup> /MIN)	CURRENT (A)	POWER (W)	SPEED (RPM)	STATIC PRESSURE (INCH-H <sub>2</sub> O)	NOISE (dBA)
FP-108EXM	110/120	50/60	205/230	5.80/6.50	0.40/0.40	30/28	2700/2900	0.75/0.60	49
FP-108EXM	220/240	50/60	205/230	5.80/6.50	0.28/0.23	38/35	2700/2900	0.75/0.60	49